

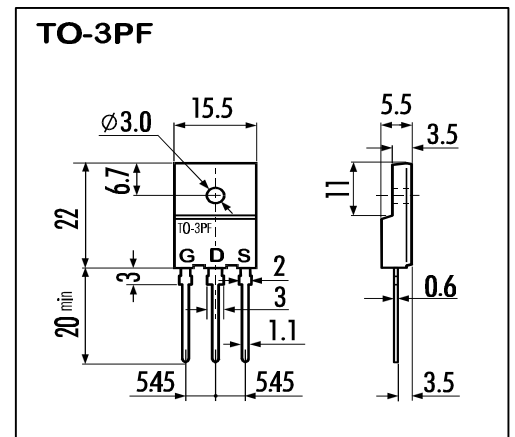
> **Features**

- High Current
- Low On-Resistance
- No Secondary Breakdown
- Low Driving Power
- Avalanche Rated

> **Applications**

- Motor Control
- General Purpose Power Amplifier
- DC-DC converters

> **Outline Drawing**

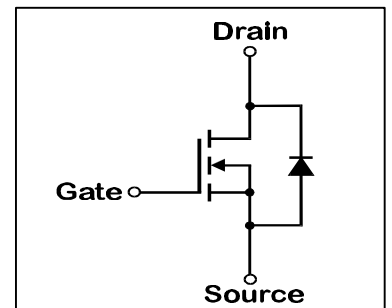


> **Maximum Ratings and Characteristics**

- Absolute Maximum Ratings ($T_C=25^\circ\text{C}$), unless otherwise specified

Item	Symbol	Rating	Unit
Drain-Source-Voltage	V_{DS}	60	V
Continous Drain Current	I_D	±100	A
Pulsed Drain Current	$I_{D(puls)}$	±400	A
Gate-Source-Voltage	V_{GS}	±30	V
Maximum Avalanche Energy	E_{AV}	1268.3	mJ*
Max. Power Dissipation	P_D	125	W
Operating and Storage Temperature Range	T_{ch}	150	°C
	T_{stg}	-55 ~ +150	°C

L=0.169mH, Vcc=24V



- Electrical Characteristics ($T_C=25^\circ\text{C}$), unless otherwise specified

Item	Symbol	Test conditions	Min.	Typ.	Max.	Unit
Drain-Source Breakdown-Voltage	BV_{DSS}	$I_D=1\text{mA}$ $V_{GS}=0\text{V}$	60			V
Gate Threshold Voltage	$V_{GS(th)}$	$I_D=10\text{mA}$ $V_{DS}=V_{GS}$	2,5	3,0	3,5	V
Zero Gate Voltage Drain Current	I_{DSS}	$V_{DS}=60\text{V}$ $T_{ch}=25^\circ\text{C}$		10	500	μA
		$V_{GS}=0\text{V}$ $T_{ch}=125^\circ\text{C}$		0,2	1,0	mA
Gate Source Leakage Current	I_{GSS}	$V_{GS}=\pm 30\text{V}$ $V_{DS}=0\text{V}$		10	100	nA
Drain Source On-State Resistance	$R_{DS(on)}$					mΩ
		$I_D=50\text{A}$ $V_{GS}=10\text{V}$		5,7	7,8	mΩ
Forward Transconductance	g_{fs}	$I_D=50\text{A}$ $V_{DS}=25\text{V}$	25	55		S
Input Capacitance	C_{iss}	$V_{DS}=25\text{V}$		5400	8100	pF
Output Capacitance	C_{oss}	$V_{GS}=0\text{V}$		2100	3150	pF
Reverse Transfer Capacitance	C_{rss}	$f=1\text{MHz}$		550	830	pF
Turn-On-Time t_{on} ($t_{on}=t_{d(on)}+t_r$)	$t_{d(on)}$	$V_{CC}=30\text{V}$		29	50	ns
		$V_{GS}=10\text{V}$		200	350	ns
	t_r	$I_D=100\text{A}$		160	240	ns
Turn-Off-Time t_{off} ($t_{off}=t_{d(off)}+t_f$)	$t_{d(off)}$	$R_{GS}=10\ \Omega$		150	230	ns
	t_f					
Avalanche Capability	I_{AV}	$L = 100\ \mu\text{H}$ $T_{ch}=25^\circ\text{C}$	100			A
Diode Forward On-Voltage	V_{SD}	$I_F=100\text{A}$ $V_{GS}=0\text{V}$ $T_{ch}=25^\circ\text{C}$		1,0	1,5	V
Reverse Recovery Time	t_{rr}	$I_F=50\text{A}$ $V_{GS}=0\text{V}$		85		ns
Reverse Recovery Charge	Q_{rr}	$-di/dt=100\text{A}/\mu\text{s}$ $T_{ch}=25^\circ\text{C}$		0,21		μC

- Thermal Characteristics

Item	Symbol	Min.	Typ.	Max.	Unit
Thermal Resistance	$R_{th(ch-c)}$			1,0	°C/W
	$R_{th(ch-a)}$			30,00	°C/W

N-channel MOS-FET			
60V	0,0078Ω	±100A	125W

2SK2907-01

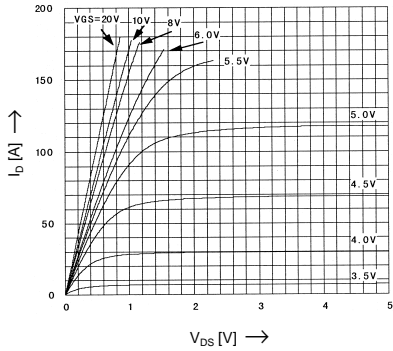
FAP-IIIB Series



> Characteristics

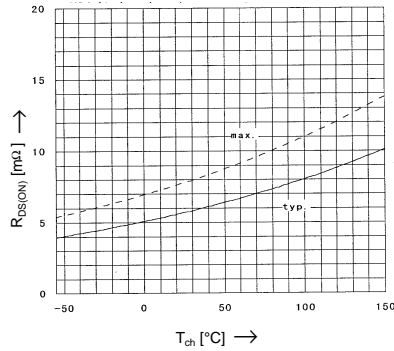
Typical Output Characteristics

$I_D = f(V_{DS})$; 80μs pulse test; $T_C = 25^\circ\text{C}$



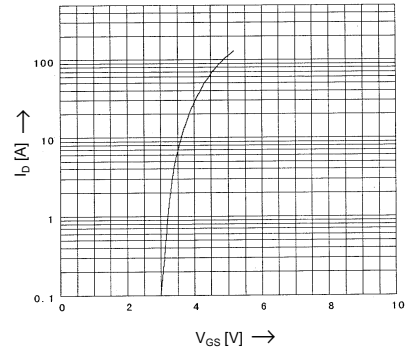
Drain-Source On-State Resistance vs. T_{ch}

$R_{DS(on)} = f(T_{ch})$; $I_D = 50\text{A}$; $V_{GS} = 10\text{V}$



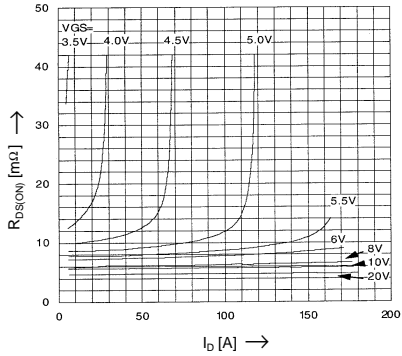
Typical Transfer Characteristics

$I_D = f(V_{GS})$; 80μs pulse test; $V_{DS} = 25\text{V}$; $T_C = 25^\circ\text{C}$



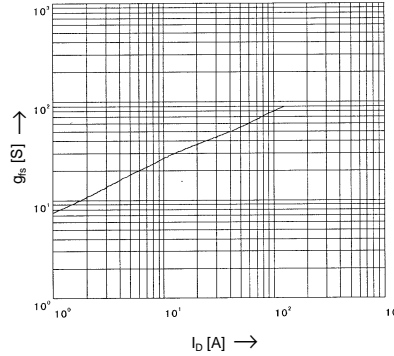
Typical Drain-Source On-State-Resistance vs. I_D

$R_{DS(on)} = f(I_D)$; 80μs pulse test; $T_C = 25^\circ\text{C}$



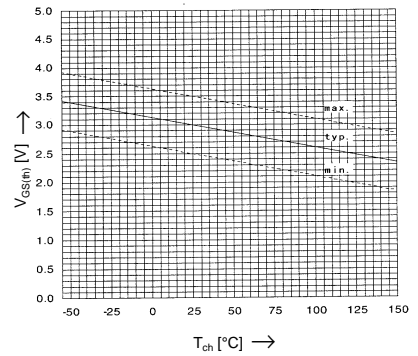
Typical Forward Transconductance vs. I_D

$g_{fs} = f(I_D)$; 80μs pulse test; $V_{DS} = 25\text{V}$; $T_{ch} = 25^\circ\text{C}$



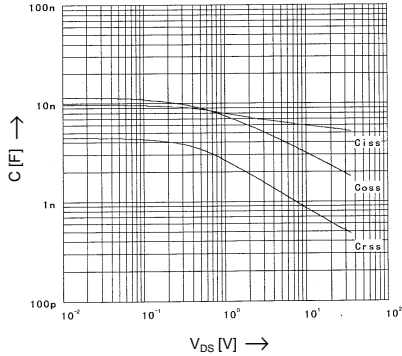
Gate Threshold Voltage vs. T_{ch}

$V_{GS(th)} = f(T_{ch})$; $I_D = 10\text{mA}$; $V_{DS} = V_{GS}$



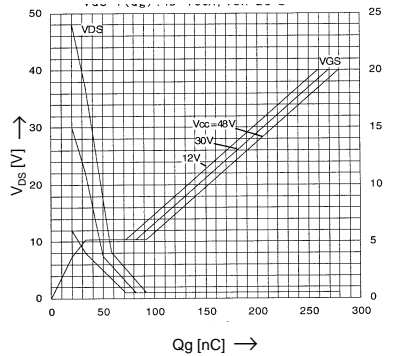
Typical Capacitances vs. V_{DS}

$C = f(V_{DS})$; $V_{GS} = 0\text{V}$; $f = 1\text{MHz}$



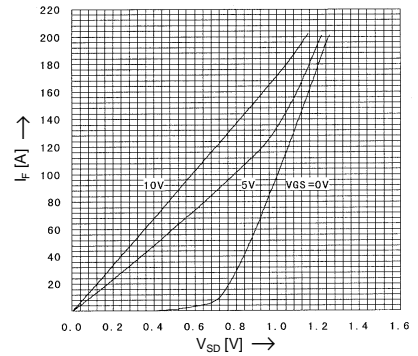
Typical Gate Charge Characteristic

$V_{GS} = f(Q_g)$; $I_D = 100\text{A}$; $T_C = 25^\circ\text{C}$



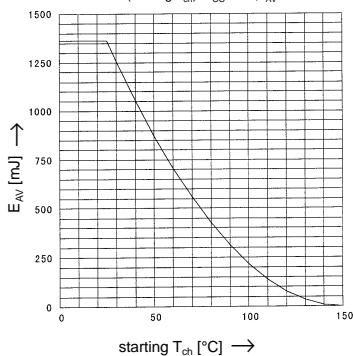
Forward Characteristics of Reverse Diode

$I_F = f(V_{SD})$; 80μs pulse test; $T_{ch} = 25^\circ\text{C}$



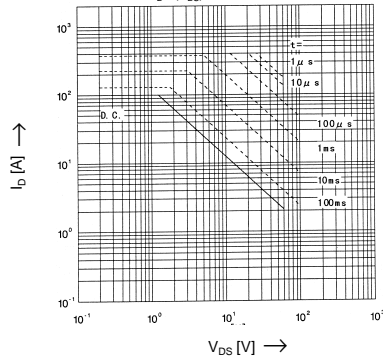
Maximum Avalanche Energy vs. starting T_{ch}

$E_{as} = f(\text{starting } T_{ch})$; $V_{CC} = 24\text{V}$; $I_{AV} \leq 100\text{A}$



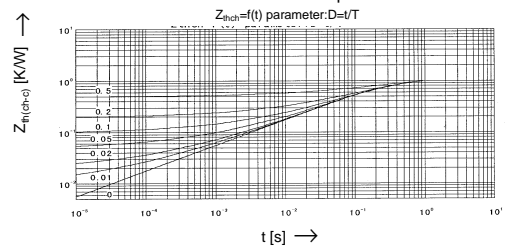
Safe Operation Area

$I_D = f(V_{DS})$; $D = 0.01$; $T_C = 25^\circ\text{C}$



Transient Thermal Impedance

$Z_{th(ch-c)}(t)$ parameter: $D = t/T$



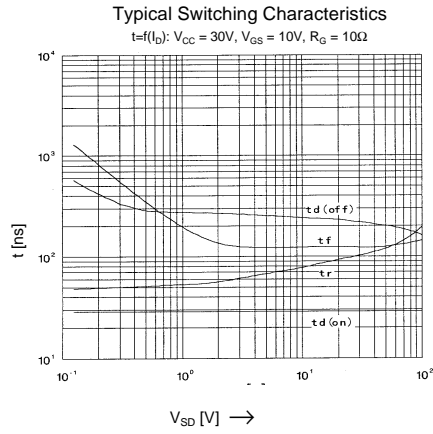
N-channel MOS-FET			
60V	0,0078Ω	±100A	125W

2SK2907-01

FAP-IIIB Series

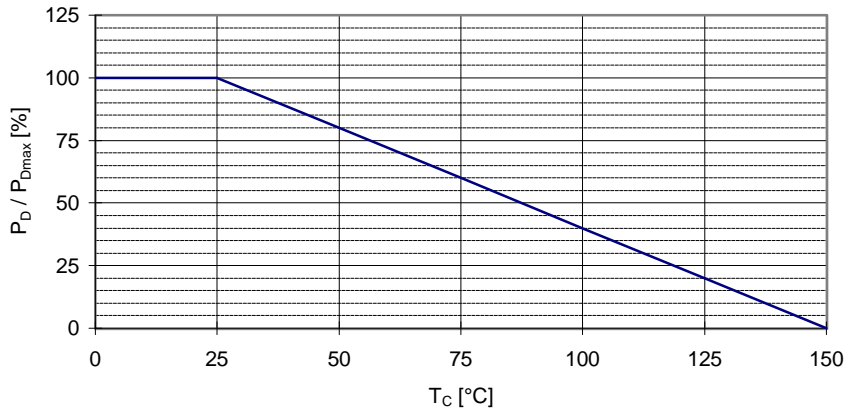


> Characteristics



Power Dissipation

$P_D = f(T_C)$



Maximum Avalanche Current vs. starting T_{ch}

$I_{AV} = f(\text{starting } T_{ch})$

